

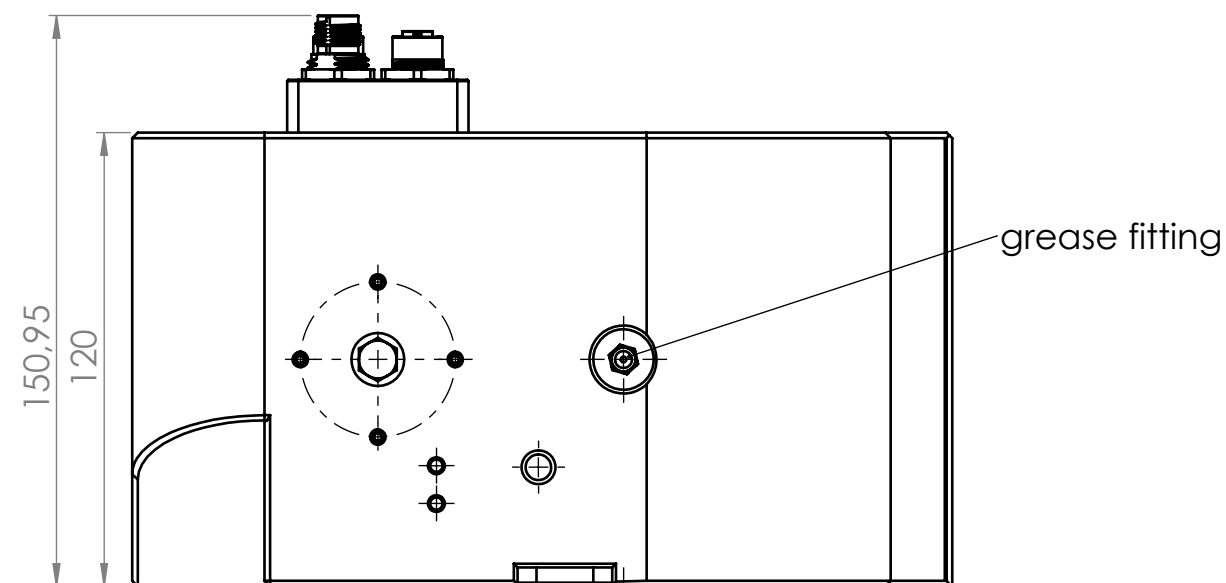
12100_20_13_000X LENKANTRIEB

Driving torque at nominal data	30 Nm
Max driving torque	50 Nm
Output speed at nominal data	275 rpm
Reduction ratio	20
Gear box	worm gear

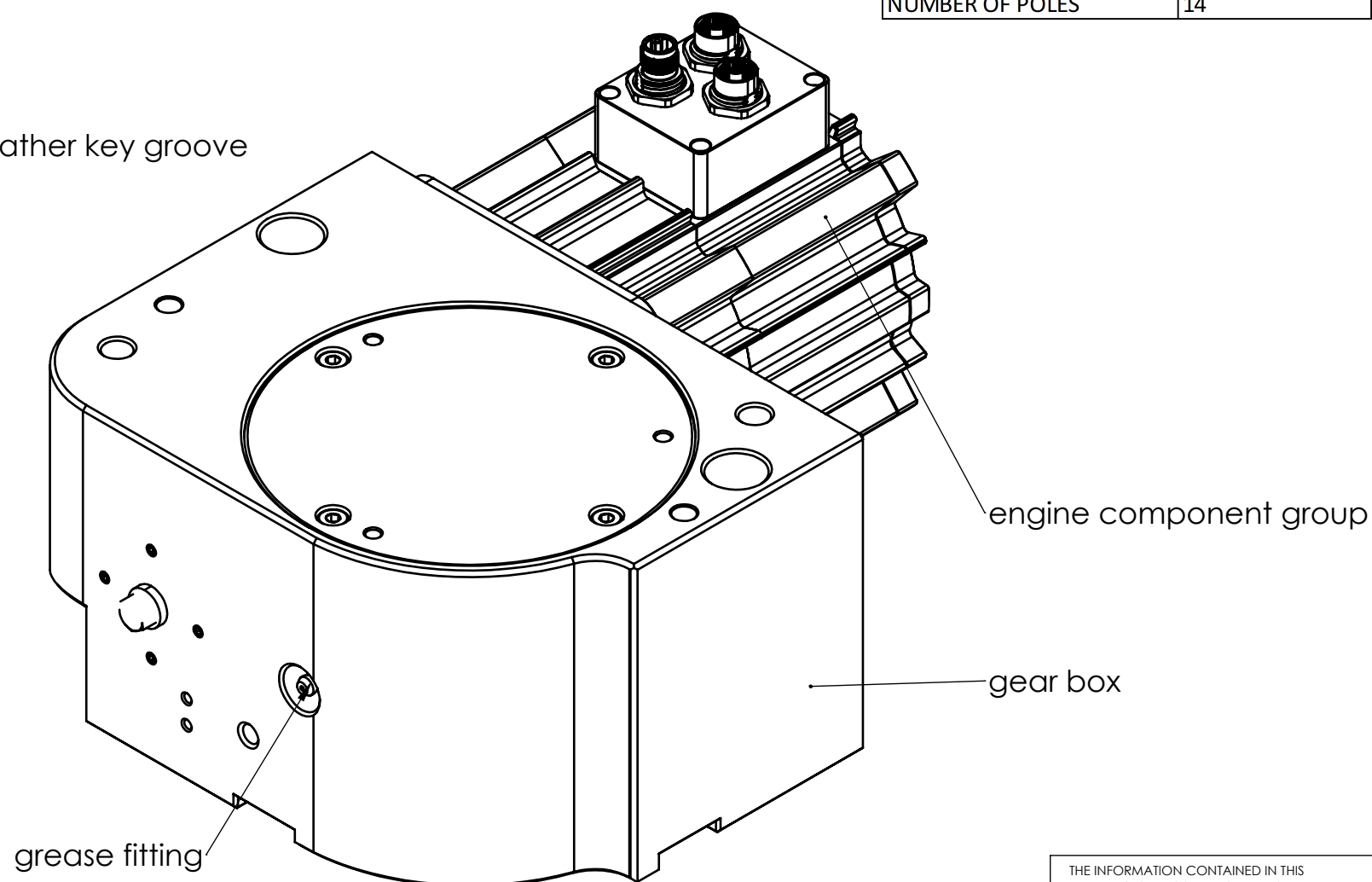
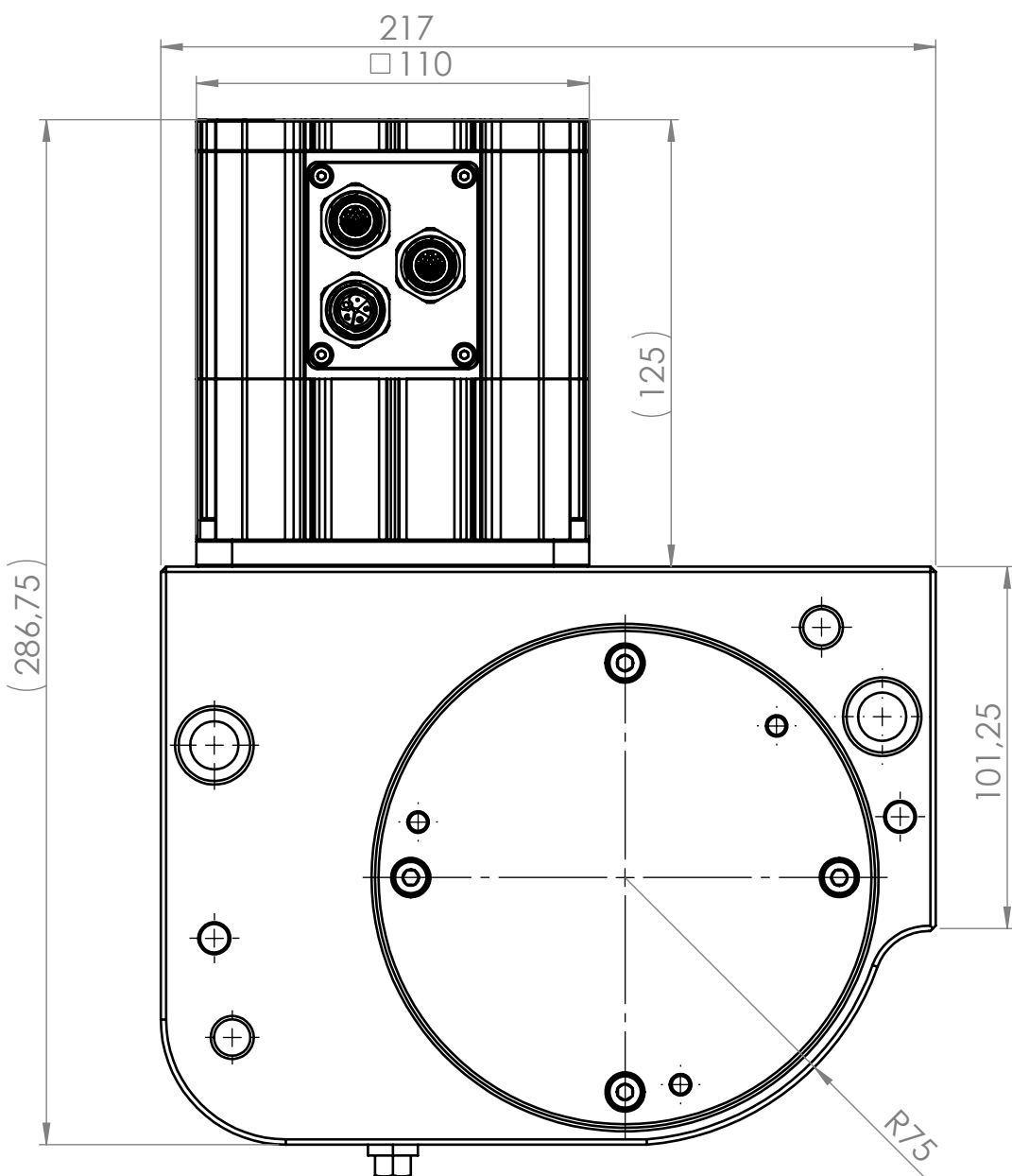
Data sheet motor

SPECIFICATIONS	VALUE AND UNIT
RATED VOLTAGE	48 VDC
RATED SPEED	5510 rpm
FREE LOAD SPEED	7100 rpm ± 10%
ON LOAD CURRENT	31.2 A
FREE LOAD CURRENT	3.5 A (max)
RATED OUTPUT POWER	1300 W
EFFICIENCY	86.8 %
ARMATURE THERMAL LOAD	0.107 A ² /mm ³
RATED TORQUE	2,25 Nm
COGGING TORQUE	0.107 Nm
CLASS OF INSULATION	F
NUMBER OF POLES	14

design concept



output shaft
plain shaft for clutch or with feather key groove



subject to change

THE INFORMATION CONTAINED IN THIS DRAWING IS THE SOLE PROPERTY OF Laudensch Formtechnik GmbH. ANY REPRODUCTION IN PART OR AS A WHOLE WITHOUT THE WRITTEN PERMISSION OF Laudensch Formtechnik GmbH IS PROHIBITED.

Dateiname:		Gewicht:		Laudenbach Formtechnik D78559 Gosheim Am Sturmbühl 6		
12100_20_13_000B Lenkantrieb_Variante		15284.01 g				
Index	Tag:	Name:	Datum/Gepr.	2023	Tag:	Name:
				Gez.:	30.01.23	IP
				Gepr.:		
				Maßstab:	Benennung:	
				1:2	Lenkantrieb	
				Format:	Zeichnung.-Nr.:	
				A3	12100_20_13_000X	
						Index

